

Anystream® Filtered Shower Head

MODELS:

- SR-2005-HBF-E2: 2.0 GPM (7.6 L/min) flow rate
- SR-2005-HBF-E175: 1.75 GPM (6.6 L/min) flow rate

FEATURES:

- 5 plungers with 50 sprays, 8 massage jets, 3 spray patterns
- Patented Anystream® plungers resist scale build-up
- Spray adjusting handle
- 10,000 gallon/6 month filter life
- Plastic body construction, with brass ball nut
- 1/2" -14 NPTF female inlet
- Corrosion resistant finishes

STOCK FINISHES:



PC

OPTIONS/ADD-ONS:

- FSR-1 - Hotel Pure Replacement Shower Filter

STANDARDS:

- ASME A112.18.1/CSA B125.1 certified
- NSF/ANSI 177-2014 certified, FSR-1, & SR-2005-HBF-E2 only
- CEC (CA Energy Commission) certified, 1.75 GPM only
- WaterSense certified, 2.0 & 1.75 GPM only

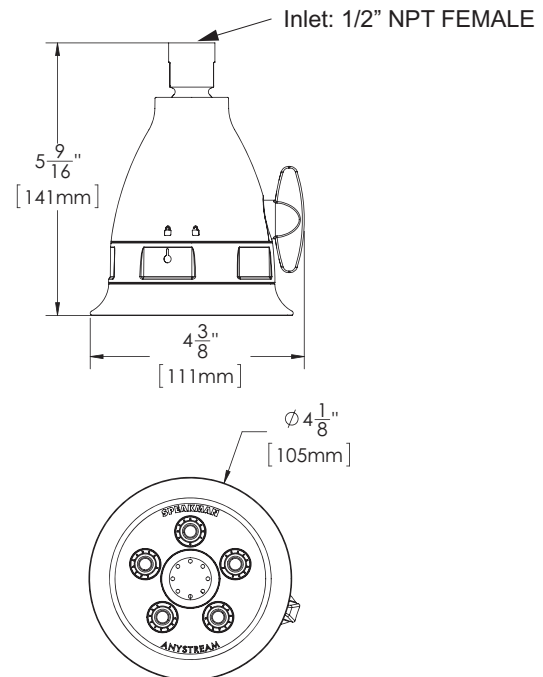
WARRANTY:

Visit www.speakman.com for full product warranty information

- Limited Lifetime Warranty (consumer)
- 1 Year Limited Warranty (commercial)



FSR-1



All dimensions are in inches (millimeters) unless otherwise specified and are subject to change without notice.

Architect/Engineer Approval Space:

P: 800-537-2107
 F: 800-977-2747
 W: WWW.SPEAKMAN.COM
 R: 01-JUNE 2021